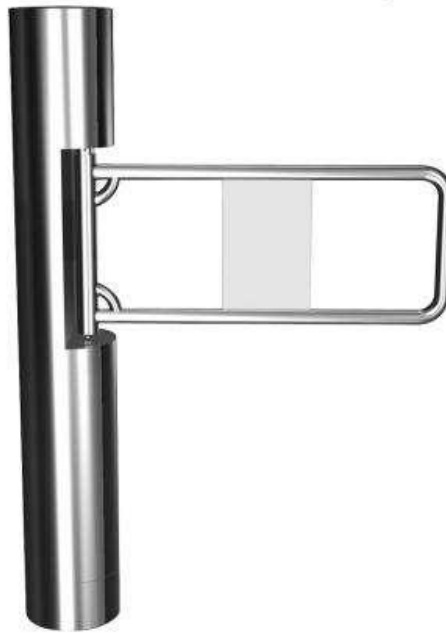


Swing Gate User Manual

JKDC-100C



1. Product introduction

Swing barrier is generally used in simple dissuasion level access control of public passages. It is widely used in work attendance checking systems of factories, consumption systems of public institutions, access control of residential estates, ticket exit systems of scenic, sports and other arenas, hand-key management systems of construction sites and so on. The mechanical part of the barrier contains an emergency

control device, which allows free passage in case of power fail. The turnstile has different optional configurations for the applications of all building conditions and for the control of all kinds of passage entrance-exits. Different identification systems (ID card, IC card, bar-code, hand-key, fingerprint, iris, etc.) can be configured into the barrier system. The barrier can be connected to any kinds of controllers and various consumption devices.

2. Features and Functions:

1. SUS304# stainless steel rainproof case
2. LINIX (the best micro-motor brand in China) brush-less DC motor is used and its surface is plated with dichromate;
3. Length of rotating arm: 500mm-900mm
4. Fault detection and alarm functions, easy to use and maintenance.
5. The running status can be programmed and controlled with the built-in keyboard on the main board.
6. Mechanical anti-pinch function. If the gate meets resistance in the reset process, motors will stop working automatically within the prescribed time and reset again after the default delay (till fully reset).
7. Anti-breakthrough function. The gate is locked automatically until opening signal received.
8. Synchronization functions(for dual gate equipment).
9. Automatic reset function. Should the user fail to pass within the prescribed time (default time is 5 seconds), the system will cancel the authority of the current user automatically.
10. Gate can be set as normally open or normally closed.
11. Can be used with variety of card readers: IC / ID card readers, bar codes, fingerprints, etc. (Access controller needed)
12. Direction can be set as single-direction or bi-direction.
13. The device can be connected to management computer to realize remote control and management.



14. LED direction indicator.
15. Gate autoopens when power off and autoclose when power on, complying with fire safety requirements.
16. Alarm function, in case of illegal intrusion and reverse intrusion, etc.
17. Counter function (optional).
18. Support infrared photocell for anti-pinch and reset function.

3. Technical Specifications

Item \ Model	JKDJ-100C
Voltage	AC 220V/110V±10%
Frequency	50/60Hz
Current	3A
Control circuit	DC24V
Power consumption	40W
Working temperature	-20°C~60°C
Working humidity	0~95%RH
Time of opening or closing	2.5 seconds

4. Control Interface

1) Equipment controlling connection method:

For two-way relay and switch signal:

The COM connect to the **VDD** from Gate Opening interface,

The NO signal need to connect to the **OPE-L(or OPE-R)**.

For The 12V level signal:

The negative electrode connect to the **GND** from Gate Opening interface.

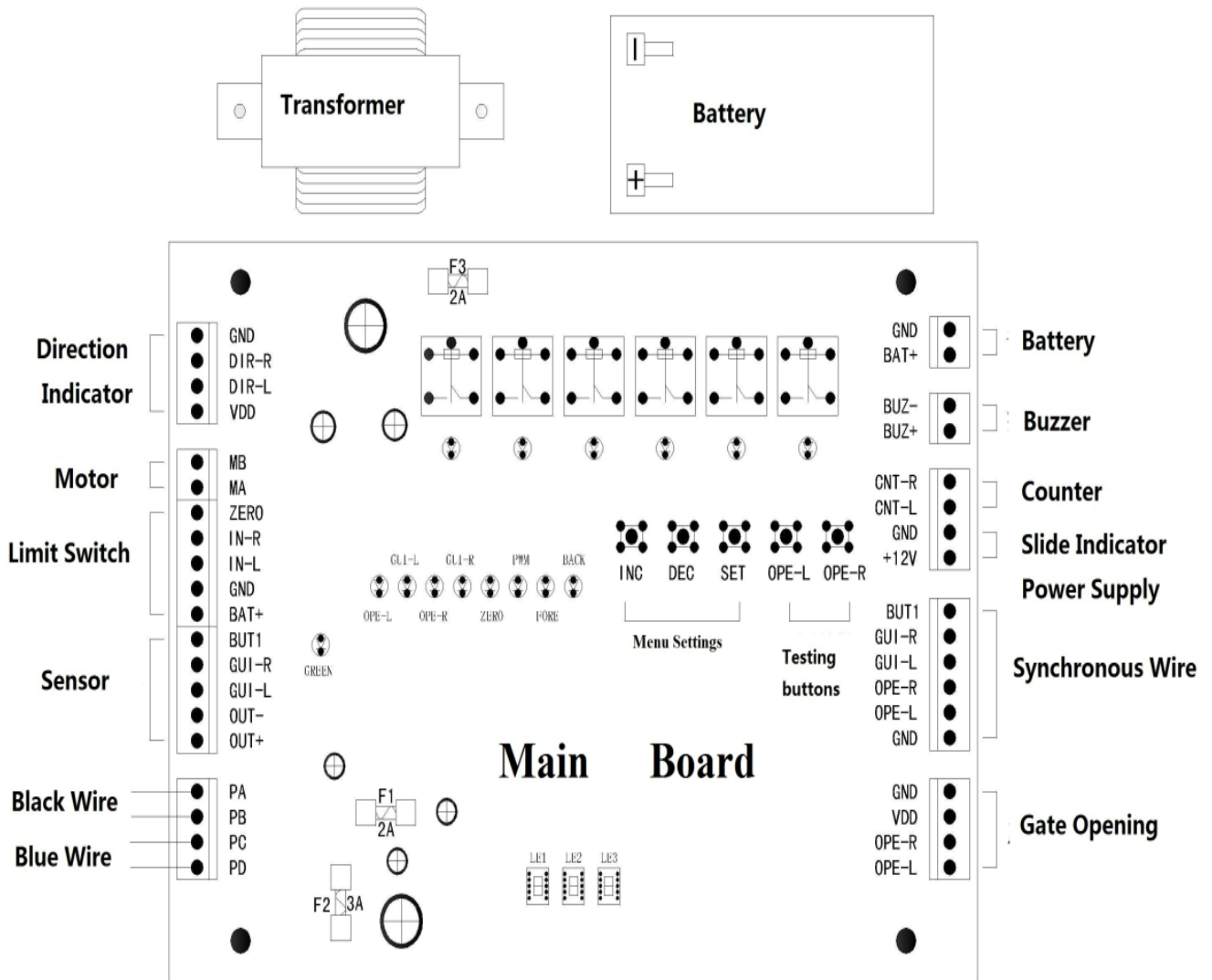
The Positive electrode connect to **OPE-L(or OPE-R)**

2) Pair using must connect the synchronous wires correspondingly, e.g. **GND to GND, OPE-L to OPE-L**(6 wires total, the connection must be completely consistent).



Note: Before using, please make sure ground wire connected, prohibit taking electricity from the main board.

Wiring Diagram



Menu Setting

I. Display and Menu Setting

1. Display refers to the three-digit LED from left to right on the main Board.
2. Menu Setting include 3 keys which are INC key, SET key, DEC key. SET key

Add: Jinkedacheng Science Park, N0.59 Xinhe Road, Shangmugu, Pinghu Town, Longgang District, Shenzhen City, Guangdong Province, China

Web: <http://www.jkdcsecurity.com> Tel: +86 755-28408621

is used to Enter and Exit menu or function setting; INC key is used to plus 1 at a time to the parameter needs setting; DEC key is used to minus 1 at a time to the parameter needs setting;

II. Enter and Exit Menu Setting

1. Enter menu: Press SET key, loose the key after hearing a sound “du”, “P00” appears, which indicates the status of menu setting. Now press INC key Or DEC key to the parameter needs setting: Press INC key to plus 1, and press DEC key to minus 1. There are 15 kinds of functions as below:

P00: Exit from menu setting, when P00 appears, press SET key to exit menu.

P01: The motor running direction when power on, =000 means clockwise rotation, and =001 means anticlockwise rotation.

P02: The longest operation time of barrier. Its measurement is 0.1sec, when we set it to 60, the time is 6 seconds. If the barrier hasn't closed in 6 sec, it will automatically stop. (System default is 60)

P03: The passing time, measurement is second. Number 10 means 10 seconds. If the pedestrian hasn't passed through the gate in pre-set time, the passing right will be canceled. (System default is 10)

P04: Working mode (System default is 000)

=000 bi-direction swiping card

=001 swipe card enter but free for exit

=002 free for entry but swipe card exit

=003 free for entry and exit

=004 swipe card for entry only (single direction)

=005 swipe card for exit only (single direction)

P05: The speed of barrier gate opening for entry, system default is 10.

P06: The speed of barrier gate closing after entry, system default is 10.

P07: The speed of barrier gate opening for exit, system default is 10

P08: The speed of barrier gate closing after exit, system default is 10.

P09: Pedestrian who pass through the channel in the pre-set time will be regarded as one person, system default is 10.

P10: Counter clear for entry , when it displays P10, press SET Key, then it displays O-L, press INC Key to clear the counter.

P11: Counter clear for exit, when it displays P11, press SET Key, then it displays

O-L, press INC Key to clear the counter.

P12: Memory function setup (system default is 000)

=000: with memory for entry and exit

=001: with memory for exit only

=002: with memory for entry only

=003: without memory for entry and exit

P13: Equipment communication address, namely set a identification number for all the mechanism. Number range from 1-255. (System default is 001)

P14: Equipment types

=000: Swing barrier

=001: Flap barrier

P15: System reset, when it displays P15, press SET Key, then it will display P-2, press INC Key to reset system.

5. Decorative Facing Cover:

For standard bridge-type swing barrier, two decorative facing covers are installed at each side of the housing. The covers are made by 10mm thick PVC materials.

On the standard decorative cover; the words **“Please put in your card here”** are printed using silk-screen printing method. The background of the decorative cover is white, and other words can also be printed as may be required by customers. The system integrator can install different user interfaces according to the users requirements, such as IC card reader, magnetic card reader, fingerprint scanner, status indicating light, exit button equipment, etc.

6. Operating Instructions

The Swing Barrier has two different operating modes:

- 1) Always Free Passing (Barrier Free Passage)
- 2) Electric Driving Entry Control (Intelligent Passage through Identification by means of IC, ID, Bar-code, etc.)

Each of the above two operating modes has an emergency design: when there is a power failure, the two wings of the Flap Barrier will automatically open to ensure free passage through it.

The two-way operating modes are specifically defined by the above code and have something to do with the operation selected.

7. Work to be carried out by the Customer



Single-Phase 5A 220V power supply, grounded to the connecting line of the control equipment. (Connect the controllers' dry contact (or level) control signal to PASS1 or PASS2)

1) Civil Engineering Works:

Use GB (Chinese Standard) 405# Portland cement concrete to build foundation with thickness from 10CM to 15CM. The installation can be carried out five to seven days after the concrete foundation is built.

2) Fixation

The swing barrier base plate can be opened. There are four 12mm holes inside the base. Use four 8mm*10mm expansionbolts to fix the base.

Unit: mm

9. Service Commitments

1) Prepurchase Service:

A) Offer users counselor and consultant service related to the turnstile.

B) On the basis of comprehensive consideration of the specific layout, environment and power supply conditions, propose reasonable design schemes to customers, striving for best price value.

2) Sales Service:

A) Assemble and adjust the equipment system to reach the best conditions.

B) Offer free training to users to help them establish the ideas of properly using the equipment and offering service.

Help users to establish a management system for the turnstile system.

3) Aftersales Service:

A) Supply various consumable materials.

B) Periodically carry out inspection by telephone calls and provide advice and maintenance.

C) The warranty period of the turnstile is one year after installation. Lifetime maintenance will be provided after the one year warranty period expires. Once there is any failure arising during the operation of the equipment, please dial our service phone number for technical advice; If the problem cannot be solved through telephone call, our company shall, when considered as necessary under the circumstances, send technical personnel to the site to carry out maintenance and repair. (The traveling cost shall be borne by the user)

Aftersales Service Hot-line: +86-755-28408621



Product Warranty Card

Warranty No.:

Product Description:		Product Model:	Manufacturing Date:
Product Serial No.:		Warranty Period: Refer to the Following Service Commitments:	Purchase Date:
To be Filled in by the Customer	Name of Customer:	Company Name:	Tel:
	Post Code:	Email:	Fax:
	Address of Customer:		Seal
Seller	Name of Agency or Distributor:	Tel:	
	Address		

Dear Customer:

Thanks a lot for your selection of our company's products. Our company not only provides quality products, but also offers superior aftersales service support. If any question arises in the operation, please call the service support hot-line of our company. Our engineer will be glad to answer your questions. Thanks again for your trust in and support to our company and our product.

Our company offers one year warranty for the sold products:

Rules of Warranty

A) The one year warranty covers any failure due to manufacturing factors provided the product is used under normal conditions (except as stipulated otherwise by the warranty card). The warranty does not cover housing, accessory and consuming parts. In case a failure of any of the above products takes place, our company shall provide service under warranty to the products with failure and the service shall be free of charge.

B) To receive service under warranty: The customers shall notify the customer service agency of our company before the warranty expires and shall present



valid warranty card when requesting service under warranty.

C) The following circumstances are not covered by the warranty:

a) Any damage or failure incurred by disasters/accidents (such as: fire, earthquake, etc);

b) Any failure arising from improper operation not satisfying requirements, or from use under unaccepted working environment and conditions;

c) Any failure arising from the repair, or replacement /adding of parts of the products by any person not authorized by our company;

d) Any damage (such as finish damage) arising from improper transportation after delivery.

D) Our company denies any other commitments of any form not recognized by our company. Our company is only responsible for repairing or replacing as per related stipulations the product with failure certified here-under.